



3 POINT QUICK HITCH

Model 97214

SET UP AND OPERATING INSTRUCTIONS



Diagrams within this manual may not be drawn proportionally.

Due to continuing improvements, actual product may differ slightly from the product described herein.

Distributed exclusively by Harbor Freight Tools®.

3491 Mission Oaks Blvd., Camarillo, CA 93011

Visit our website at: <http://www.harborfreight.com>



**Read this material before using this product.
Failure to do so can result in serious injury.
SAVE THIS MANUAL.**

Copyright© 2007 by Harbor Freight Tools®. All rights reserved. No portion of this manual or any artwork contained herein may be reproduced in any shape or form without the express written consent of Harbor Freight Tools.

For technical questions or replacement parts, please call 1-800-444-3353.

Revised 09g

SAVE THIS MANUAL

Keep this manual for the safety warnings and precautions, assembly, operating, inspection, maintenance and cleaning procedures. Write the product's serial number in the back of the manual near the assembly diagram (or month and year of purchase if product has no number). Keep this manual and the receipt in a safe and dry place for future reference.

IMPORTANT SAFETY INFORMATION

In this manual, on the labeling, and all other information provided with this product:



This is the safety alert symbol. It is used to alert you to potential personal injury hazards. Obey all safety messages that follow this symbol to avoid possible injury or death.

DANGER

DANGER indicates a hazardous situation which, if not avoided, will result in death or serious injury.

WARNING

WARNING indicates a hazardous situation which, if not avoided, could result in death or serious injury.

CAUTION

CAUTION, used with the safety alert symbol, indicates a hazardous situation which, if not avoided, could result in minor or moderate injury.

NOTICE

NOTICE is used to address practices not related to personal injury.

CAUTION

CAUTION, without the safety alert symbol, is used to address practices not related to personal injury.



WARNING! Read all instructions
Failure to follow all instructions listed below may result in serious injury.

SAVE THESE INSTRUCTIONS

WORK AREA SAFETY

1. **Keep children and bystanders away while operating. Distractions can cause you to lose control.**
2. Keep work area clean and well lit. Cluttered or dark areas invite accidents.

PERSONAL SAFETY

1. **Wear ANSI-approved safety goggles, NIOSH-approved dust mask/ respirator, and work gloves during use and service.**
2. Stay alert and use common sense during set-up and when operating. Do not use when tired or under the influence of drugs, alcohol or medication.
3. Do not overreach. Keep proper footing and balance at all times. This enables better control in unexpected situations.
4. Dress properly. Do not wear loose clothing or jewelry. Keep your hair, clothing and gloves away from moving parts. Loose clothes, jewelry or long hair can be caught in moving parts.

PRODUCT USE AND CARE

1. **This product is not a toy. Keep it out of reach of children.**
2. Use the correct product for your application. The correct product will do the job better and safer at the rate for which it was designed. Do not modify this product or use it for a purpose for which it is not intended.
3. Check for misalignment or binding of moving parts, breakage of parts and any other condition that may affect the product's operation. If damaged, have the product repaired before use.
4. Use the product and accessories etc., in accordance with these instructions and in the manner intended for the particular type of product, taking into account the working conditions and the work to be performed. Use of the product for operations different from those intended could result in a hazardous situation.

SERVICE

1. Have product serviced by a qualified repair person using only identical replacement parts. This will ensure that the safety of the product is maintained.
2. Maintain labels and nameplates on the product. These carry important safety information. If unreadable or missing, contact Harbor Freight Tools for a replacement.

MISCELLANEOUS

1. For off-road use only.
2. Hitch connections need to be capable of supporting the weight of the Hitch and attached implement, plus load.
3. The warnings, precautions, and instructions discussed in this instruction manual cannot cover all possible conditions and situations that may occur. It must be understood by the operator that common sense and caution are factors which cannot be built into this product, but must be supplied by the operator.



SAVE THESE INSTRUCTIONS.

SPECIFICATIONS

Capacity	Fits most Category 1 Tractors up to 45 HP.
Distance Between Arms	27-1/2"
Maximum Weight Capacity: 2000 lbs., dependent on tractor's hitch capacity.	

UNPACKING

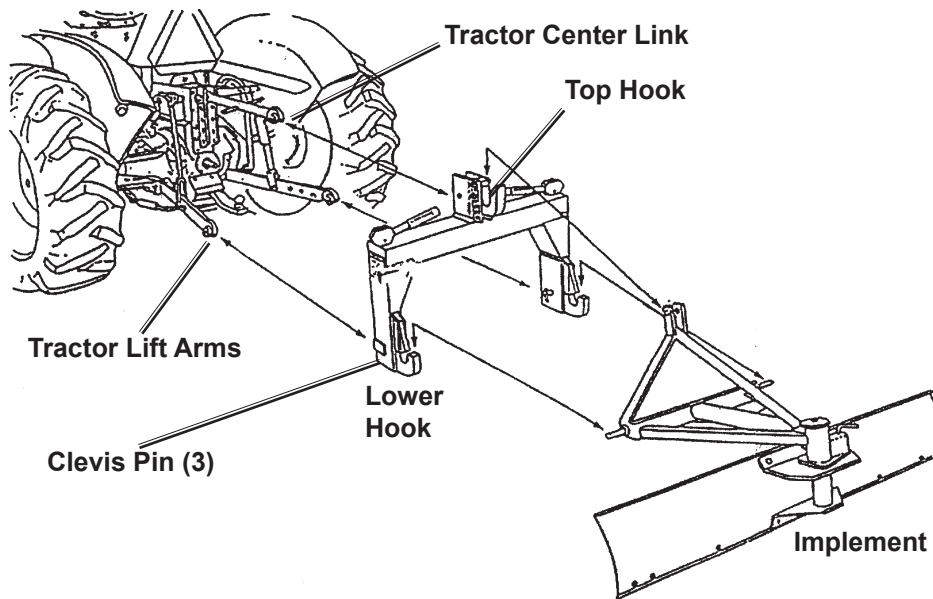
When unpacking, check to make sure that the item is intact and undamaged. If any parts are missing or broken, please call Harbor Freight Tools at the number shown on the cover of this manual as soon as possible.

SET UP INSTRUCTIONS



Read the **ENTIRE IMPORTANT SAFETY INFORMATION** section at the beginning of this manual including all text under subheadings therein before set up or use of this product.

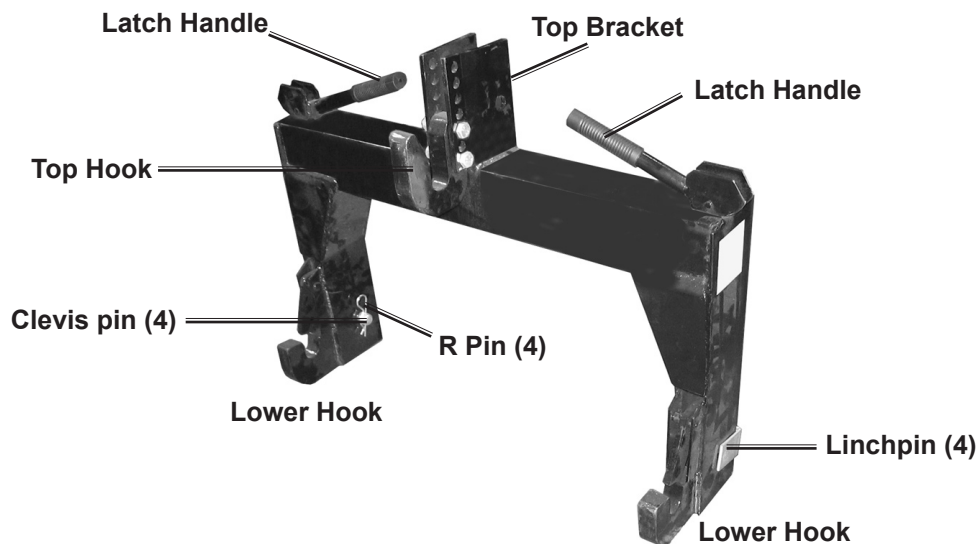
Note: For additional information regarding the parts listed in the following pages, refer to the Assembly Diagram near the end of this manual.



Note: It is recommended that two people assist when connecting this product.

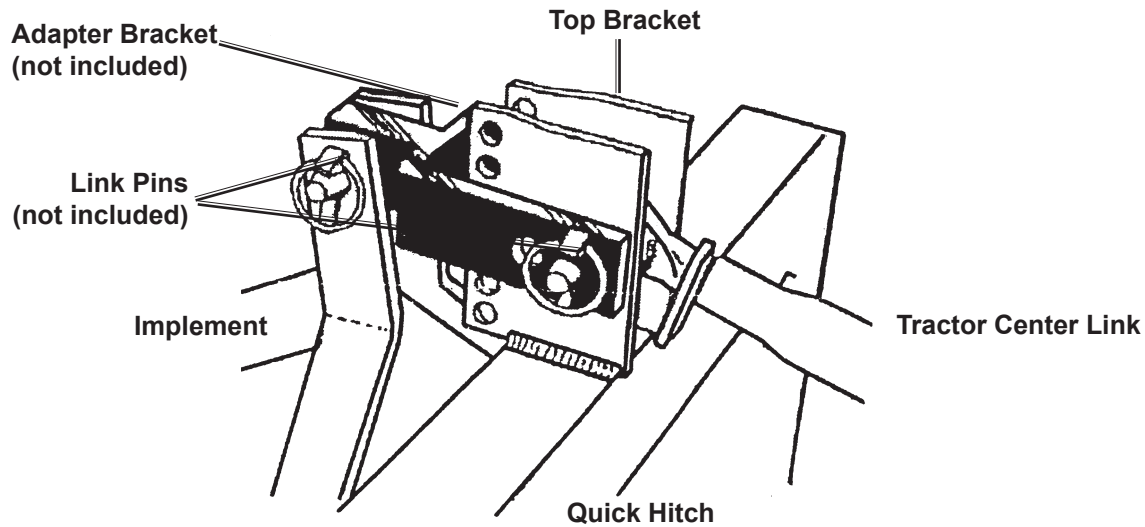
1. Fasten the Quick Hitch to the tractor's lift arms using a Clevis Pin (3) with a flat bracket on one end, and secure with linchpins. See illustration above.
2. Fasten the tractor's Center Link to the top bracket of the Quick Hitch using a Clevis Pin (not included).
3. Adjust the height of the Top Hook and connect it to the implement with a Link Pin (not included).

4. Insert the implement's lower mounts inside the hitch hooks, and lock by pressing down the latch handles.
5. Check that all connections are tight before starting the work task.
6. If the tractor has stabilizer arms, they will not fit into the Quick Hitch mounting area along with the lift arms. Use stabilizer chains, or some other longer Mounting Pin (neither included) to fasten the Quick Hitch to the tractor.



Mounting Non-ASAE Implements

1. If the implement does not meet ASAE specifications, use an Adapter Bracket (not included) to mount it to the Quick Hitch as illustrated on the next page.
2. Remove the Top Hook by taking out the two Hex Bolts (2), Lock Washers (6), and Nut (7). Save hardware.
3. Slide the Adapter Bracket over the Top Bracket of the Quick Hitch, and attach the top Link Pin.
4. For most implements, the front hole (closest to implement) is recommended for the best vertical alignment.
5. Attach the implement to the Adapter Bracket tab with a Link Pin.
6. Check that all connections are tight before starting a task.



MAINTENANCE AND SERVICING

⚠ CAUTION

Damaged products can fail, causing personal injury. Do not use a damaged product. If abnormal noise or vibration occurs, have the problem corrected before further use.

Cleaning, maintenance, and lubrication

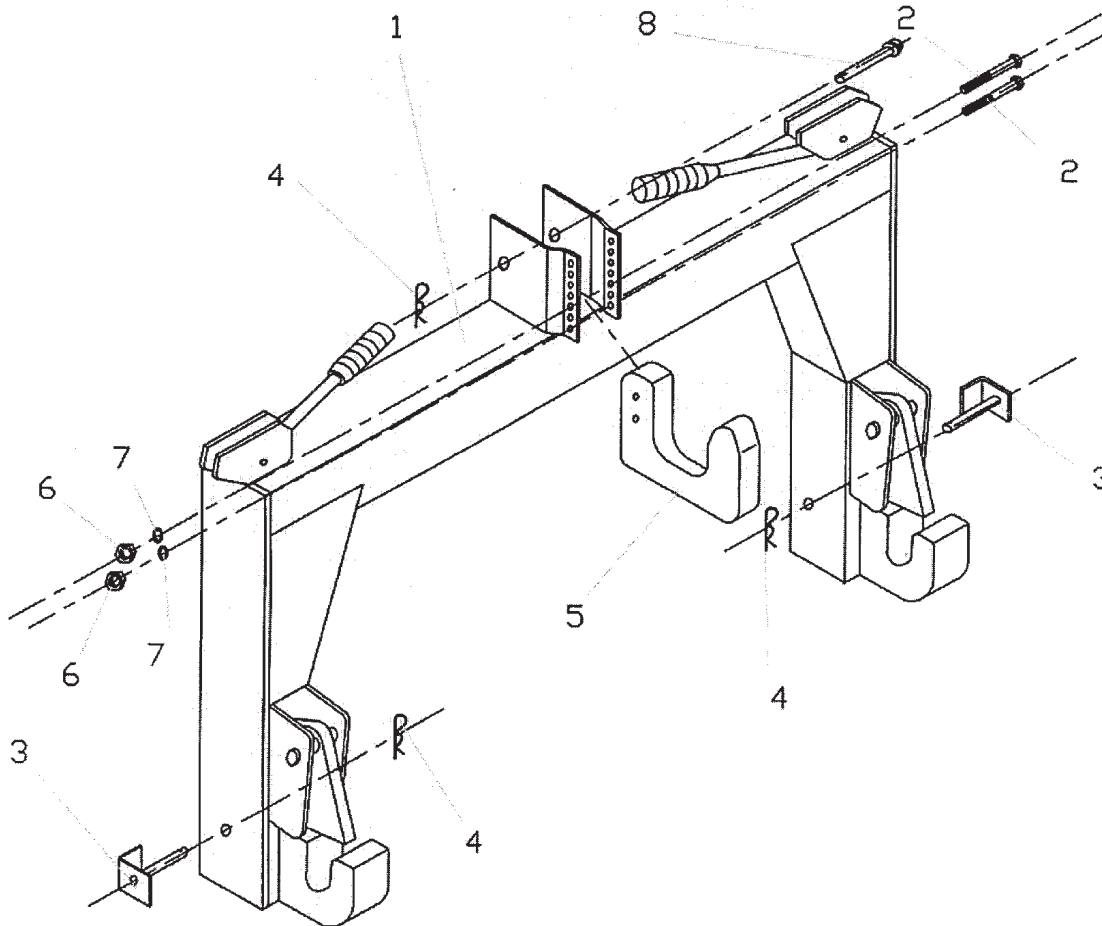
1. **BEFORE EACH USE**, inspect the general condition of the product. Check for loose screws, misalignment or binding of moving parts, cracked or broken parts, and any other condition that may affect its safe operation.
2. **AFTER USE**, clean external surfaces of the product with clean, moist cloth.
3. Lubricate the Quick Hitch periodically for best results.

PLEASE READ THE FOLLOWING CAREFULLY

THE MANUFACTURER AND/OR DISTRIBUTOR HAS PROVIDED THE PARTS LIST AND ASSEMBLY DIAGRAM IN THIS MANUAL AS A REFERENCE TOOL ONLY. NEITHER THE MANUFACTURER OR DISTRIBUTOR MAKES ANY REPRESENTATION OR WARRANTY OF ANY KIND TO THE BUYER THAT HE OR SHE IS QUALIFIED TO MAKE ANY REPAIRS TO THE PRODUCT, OR THAT HE OR SHE IS QUALIFIED TO REPLACE ANY PARTS OF THE PRODUCT. IN FACT, THE MANUFACTURER AND/OR DISTRIBUTOR EXPRESSLY STATES THAT ALL REPAIRS AND PARTS REPLACEMENTS SHOULD BE UNDERTAKEN BY CERTIFIED AND LICENSED TECHNICIANS, AND NOT BY THE BUYER. THE BUYER ASSUMES ALL RISK AND LIABILITY ARISING OUT OF HIS OR HER REPAIRS TO THE ORIGINAL PRODUCT OR REPLACEMENT PARTS THERETO, OR ARISING OUT OF HIS OR HER INSTALLATION OF REPLACEMENT PARTS THERETO.

PARTS LIST & ASSEMBLY DIAGRAM

Part	Description	Qty	Part	Description	Qty
1	Main Frame	1	5	Hook	1
2	Hex Bolt 1/2x2-1/8	2	6	Nut	2
3	Clevis Pin	2	7	Lock Washer	2
4	R Pin	3	8	Clevis Pin	1



LIMITED 90 DAY WARRANTY

Harbor Freight Tools Co. makes every effort to assure that its products meet high quality and durability standards, and warrants to the original purchaser that this product is free from defects in materials and workmanship for the period of 90 days from the date of purchase. This warranty does not apply to damage due directly or indirectly, to misuse, abuse, negligence or accidents, repairs or alterations outside our facilities, criminal activity, improper installation, normal wear and tear, or to lack of maintenance. We shall in no event be liable for death, injuries to persons or property, or for incidental, contingent, special or consequential damages arising from the use of our product. Some states do not allow the exclusion or limitation of incidental or consequential damages, so the above limitation of exclusion may not apply to you. THIS WARRANTY IS EXPRESSLY IN LIEU OF ALL OTHER WARRANTIES, EXPRESS OR IMPLIED, INCLUDING THE WARRANTIES OF MERCHANTABILITY AND FITNESS.

To take advantage of this warranty, the product or part must be returned to us with transportation charges prepaid. Proof of purchase date and an explanation of the complaint must accompany the merchandise. If our inspection verifies the defect, we will either repair or replace the product at our election or we may elect to refund the purchase price if we cannot readily and quickly provide you with a replacement. We will return repaired products at our expense, but if we determine there is no defect, or that the defect resulted from causes not within the scope of our warranty, then you must bear the cost of returning the product.

This warranty gives you specific legal rights and you may also have other rights which vary from state to state.

3491 Mission Oaks Blvd. • PO Box 6009 • Camarillo, CA 93011 • (800) 444-3353

Record Product's Serial Number Here: _____

Note: If product has no serial number, record month and year of purchase instead.

Note: Some parts are listed and shown for illustration purposes only, and are not available individually as replacement parts.